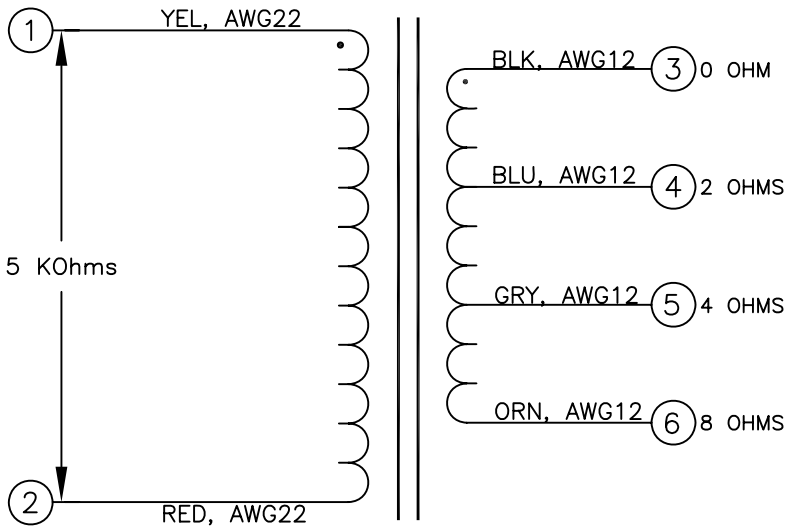
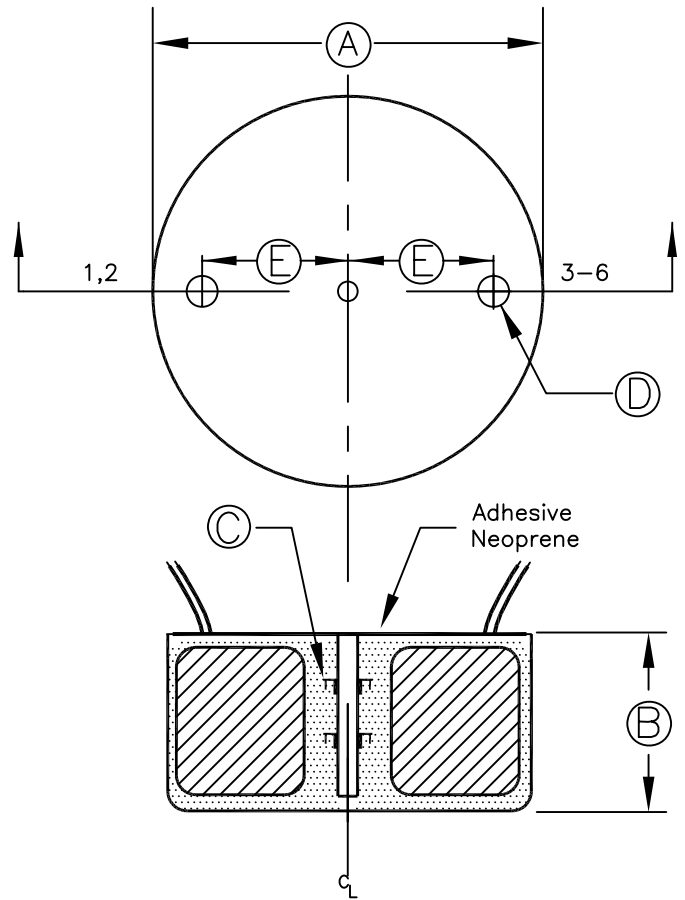


POWER:	W	90
WEIGHT:	kg	* 11



REF	DIMENSIONS			
	Unit:	(nom)	(max)	TOLERANCE
A	mm	* 203.2		
B	mm	* 107.95		
C	inch	5/16-18 insert		
D	mm	20		±5
E	mm	85		±5

LEADS	LENGTH ±10mm	TERMINATION
1-6	200	STRIP 6mm +3/-0mm

LABEL

PLITRON MANUFACTURING INC.
 PAT-HQ5090-01 DATE CODE
 PRI: 5 KOhms, YEL/RED
 SEC: 0/2/4/8 OHMS BLK/BLU/GRY/ORN
 DESIGNED BY VANDERVEEN

- NOTES: 1. Vanderveen Design.
 2. Transformer is encapsulated in black Aluminum can.
 3. All stranded leads are rated for 105°C, 600V minimum.
 4. Transformer will be supplied with bolt, lock washer and flat washer.

* Calculated value



This document is the property of Plitron Manufacturing Inc. It is not to be copied or transmitted or used as the basis for manufacturing of apparatus without written permission.
 Copyright Plitron Manufacturing Inc.

TOROIDAL OUTPUT TRANSFORMER

DESIGN BY:	VDV	DATE:	04/08/1999	DWG NO. PAT-HQ5090-01
DRAWN BY:	E.TAM	DATE:	12/04/2007	
CHECKED BY:		DATE:		SCALE N/A SHEET 1 OF 1
APPROVED BY:		DATE:		