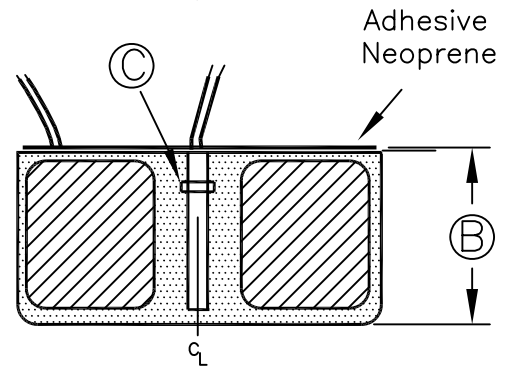
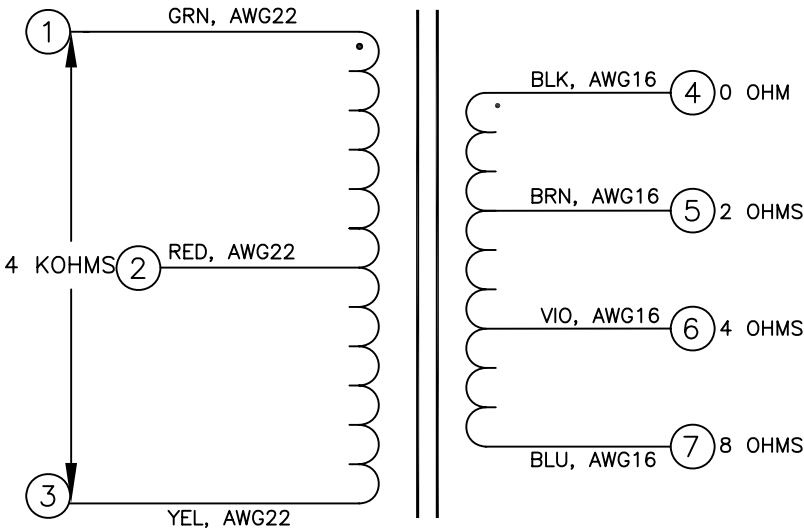
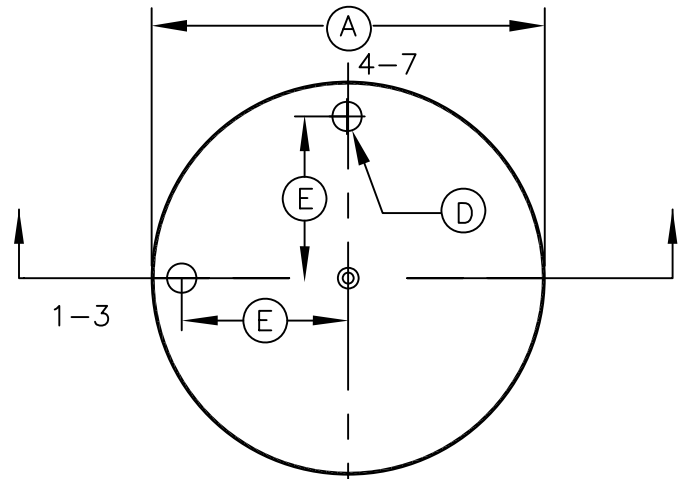


# STANDARD

CUSTOMER PART NO:	N/A
PLITRON PART NO:	PAT-4143-01
POWER:	90W
WEIGHT:	4.7Kg



REF	DIMENSIONS			TOLERANCE
	Unit:	(nom)	(max)	
A	mm	152.4		
B	mm	88.9		
C	inch	5/16-18 T-NUT		
D	mm	25.0		±5
E	mm	50.0		±5

## LABEL

PLITRON MANUFACTURING INC.  
 PAT-4143-01 DATE CODE 90 WATT 40Hz  
 PRI: 4KOhms; GRN/RED/YEL  
 SEC: 0/2/4/8 OHMS; BLK/BRN/VIO/BLU  
 DESIGNED BY VANDERVEEN

LEADS	LENGTH +/-10mm	TERMINATION +3/-0mm
1-7	200	STRIP 6mm

- NOTES: 1. Vanderveen Design.  
 2. Transformer is potted in black Aluminum can.  
 3. All stranded leads are rated for 105°C, 600V minimum.



This document is the property of Plitron Manufacturing Inc. It is not to be copied or transmitted or used as the basis for manufacturing of apparatus without written permission.  
 Copyright Plitron Manufacturing Inc.

## TOROIDAL OUTPUT TRANSFORMER

DESIGN BY:	VDV	DATE:	04/08/1999	DWG NO.	PAT-4143-01
DRAWN BY:	R.C.	DATE:	04/10/2007		
CHECKED BY:		DATE:		SCALE	N/A
APPROVED BY:		DATE:			