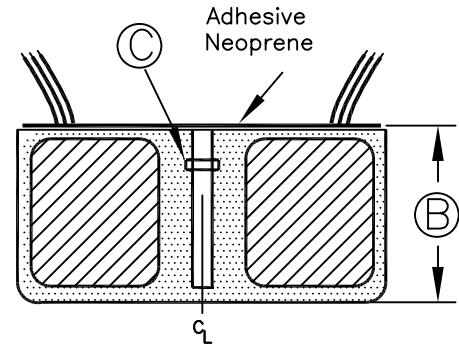
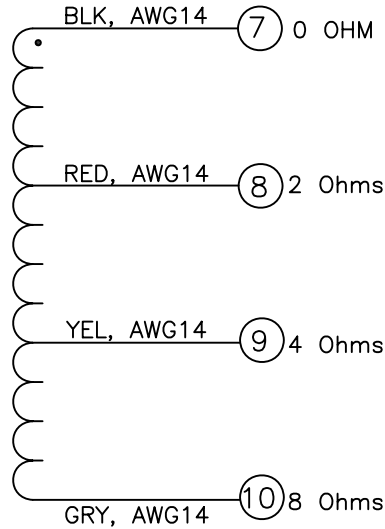
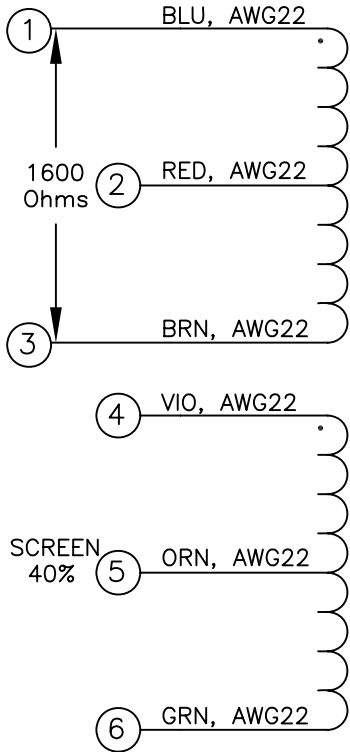
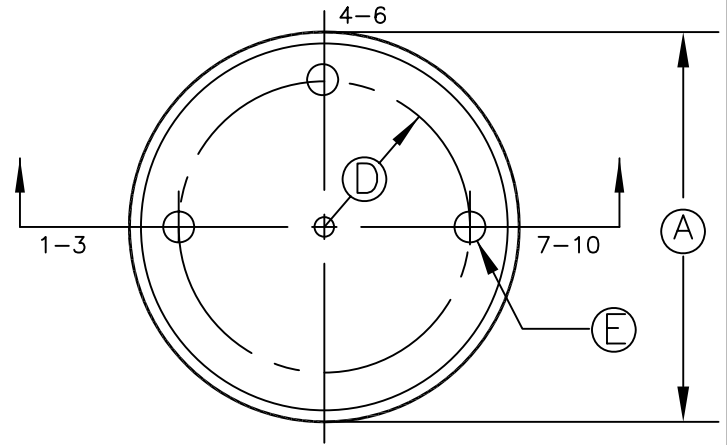


PLITRON

(PART NO: N/A)

POWER:	VA	300
WEIGHT:	Kg	*6.5




REF	DIMENSIONS			
	Unit:	(nom)	(max)	TOLERANCE
A	mm	152.4		
B	mm	88.9		
C	inch	5/16-18 T-NUT		
D	mm	70		±5
E	mm	20		±5

LABEL INFO:

PLITRON MANUFACTURING INC.
 PAT-4140-00 DATE CODE 300W/20Hz
 PRI:1600 Ohms BL/RE/BR SCREEN:40% VI/OR/GR
 SEC: 0/2/4/8 Ohms BLK/RED/GRN/GRY

LEADS	LENGTH ±10mm	TERMINATION +3/-0mm
1-10	200	STRIP 6mm

- NOTES: 1. Vanderveen Design.
 2. Transformer is potted in aluminum can.
 3. All stranded leads are TEW/UL1015 type wire.

* Calculated Value	V=VAC rms A=l rms	C/T= Center Tap	N/L= No Load	
 <p>PLITRON MANUFACTURING INC</p>	This document is the property of Plitron Manufacturing Inc. It is not to be copied or transmitted or used as the basis for manufacturing of apparatus without written permission. Copyright Plitron Manufacturing Inc.			
	TOROIDAL OUTPUT TRANSFORMER			
	DESIGN BY:	VDV	DATE:	03/28/1996
	DRAWN BY:	S.M.	DATE:	09/19/2000
	CHECKED BY:		DATE:	
APPROVED BY:		DATE:		
		DWG NO.	PAT-4140-00	
		SCALE	N/A SHEET 1 OF 1	