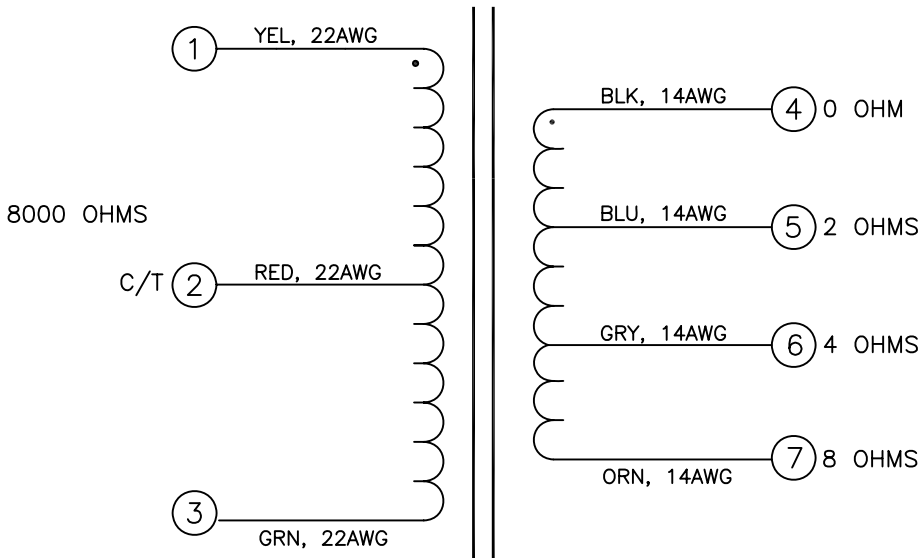
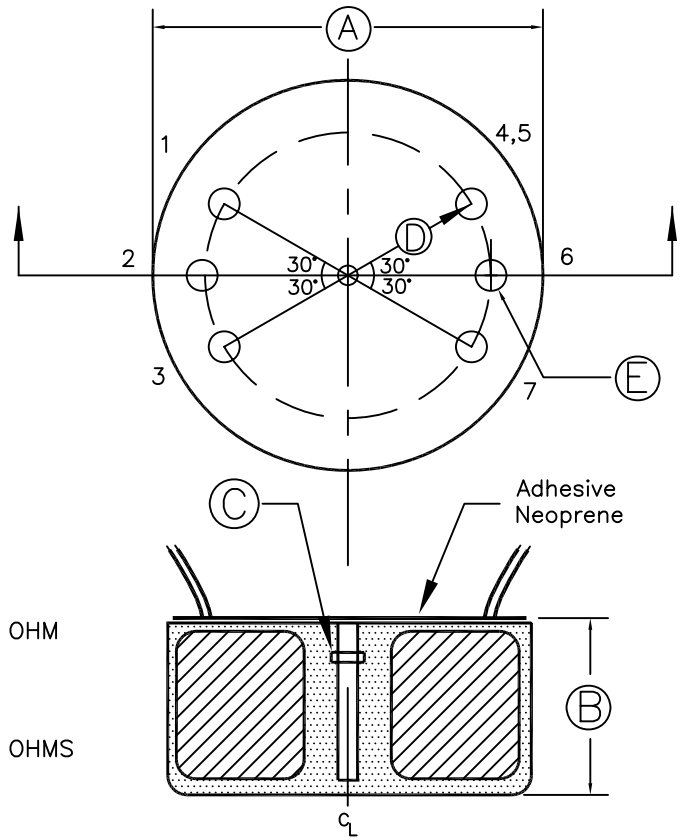


(PART NO: N/A)

POWER:	VA	150
WEIGHT:	Kg	8.5



REF	DIMENSIONS			
	Unit:	(nom)	(max)	TOLERANCE
A	mm	177.8		
B	mm	88.9		
C	inch	5/16-18 T-NUT		
D	mm	65 (6Places)		±3
E	mm	ø16 (6Places)		±3

LEADS	LENGTH ±10mm	TERMINATION
1-7	300	STRIP 6mm +3/-0mm

LABEL

PLITRON MANUFACTURING INC.  
 PAT-4135-04 DATE CODE 150W  
 PRI: 8000 OHMS YEL/RED/GRN  
 SEC: 0/2/4/8 OHMS BLK/BLU/GRY/ORN

NOTES:

1. Vanderveen Design.
2. Transformer is potted in black Aluminum can.
3. All stranded leads are rated for 105°C, 600V minimum.

C/T = Center Tap



This document is the property of Plitron Manufacturing Inc. It is not to be copied or transmitted or used as the basis for manufacturing of apparatus without written permission.  
 Copyright Plitron Manufacturing Inc.

TOROIDAL OUTPUT TRANSFORMER

DESIGN BY:	VDV	DATE:		DWG NO. <b>PAT-4135-04</b>
DRAWN BY:	R.C.	DATE:	04/03/2007	
CHECKED BY:		DATE:		SCALE N/A SHEET 1 OF 1
APPROVED BY:		DATE:		