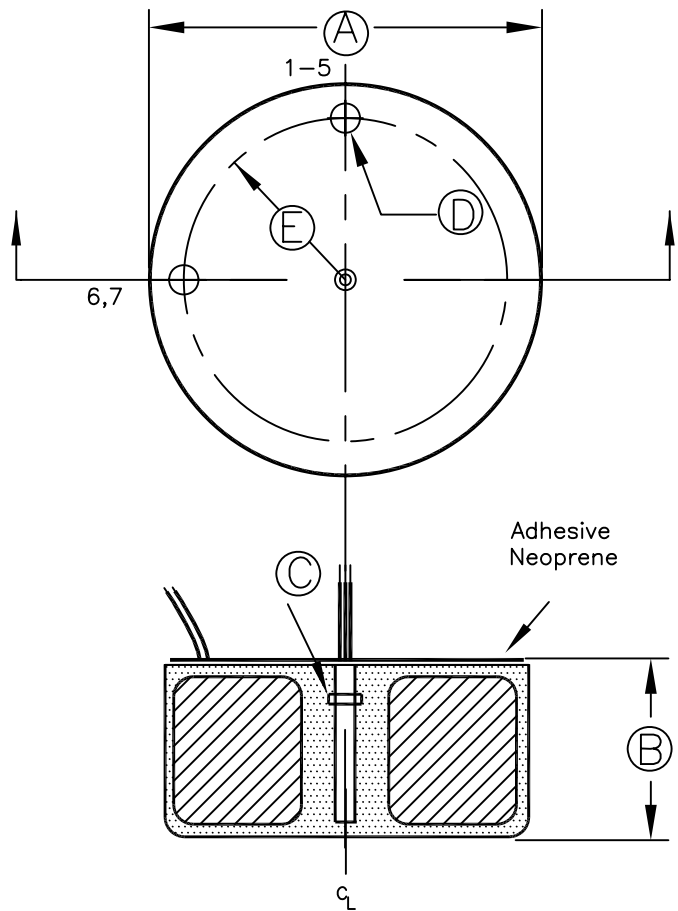
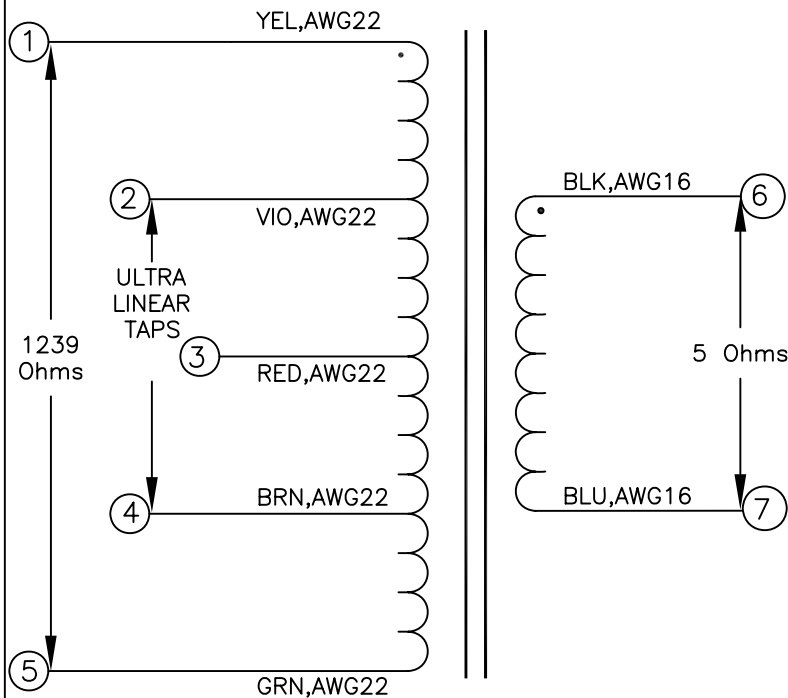


PLITRON

POWER:	VA	80
WEIGHT:	Kg	*2.54



LEADS	LENGTH ±10mm	TERMINATION +3/-0mm
1-7	200	STRIP 6mm

FREQUENCY RESPONSE: (Note 1)
-3dB Power bandwidth starts at 20.5Hz

1W	-1dB	1Hz - 228KHz
1W	0dB	1Hz - 115KHz
1W	-3dB	1Hz - 364KHz

(Lp) Pri. Inductance (H): 267
(Lsp) Leakage Inductance (H): .0006
(Cip) Inter-Winding Cap. (F): 5.62 exp (-10)
(Rip) Pri. Winding Resistance (Ohms): 37.1
(Ris) Sec. Winding Resistance (Ohms): .16

- NOTES: 1. Designed by Vanderveen.
2. Part is encapsulated in Aluminum can.
3. All stranded leads are rated for 105°C, 600V minimum.
4. (Note 1) Specs. based on DC, and phase splitter Voltages balanced in primary halves.
5. Transformer will be supplied with bolt, lock washer and flat washer.

REF	DIMENSIONS			
	Unit:	(nom)	(max)	TOLERANCE
A	mm	125.0		
B	mm	65.0		
C	inch	5/16-18 T-NUT		
D	mm	20.0		±5
E	mm	50.0		±5

LABEL

PLITRON MANUFACTURING INC.
PAT-4008-01 DATE CODE 80W
IN: 1239 Ohms YEL/GRN
SEC: 5 Ohms BLK/BLU VDV 1080
DESIGNED BY VANDERVEEN

* Calculated value

V=VAC rms A=I rms

C/T= Center Tap

N/L= No load



This document is the property of Plitron Manufacturing Inc. It is not to be copied or transmitted or used as the basis for manufacturing of apparatus without written permission.
Copyright Plitron Manufacturing Inc.

TOROIDAL OUTPUT TRANSFORMER

DESIGN BY:

VDV

DATE:

DRAWN BY:

GK

DATE:

01/30/2007

CHECKED BY:

DATE:

APPROVED BY:

DATE:

DWG NO.

PAT-4008-01

SCALE

N/A

SHEET 1 OF 1