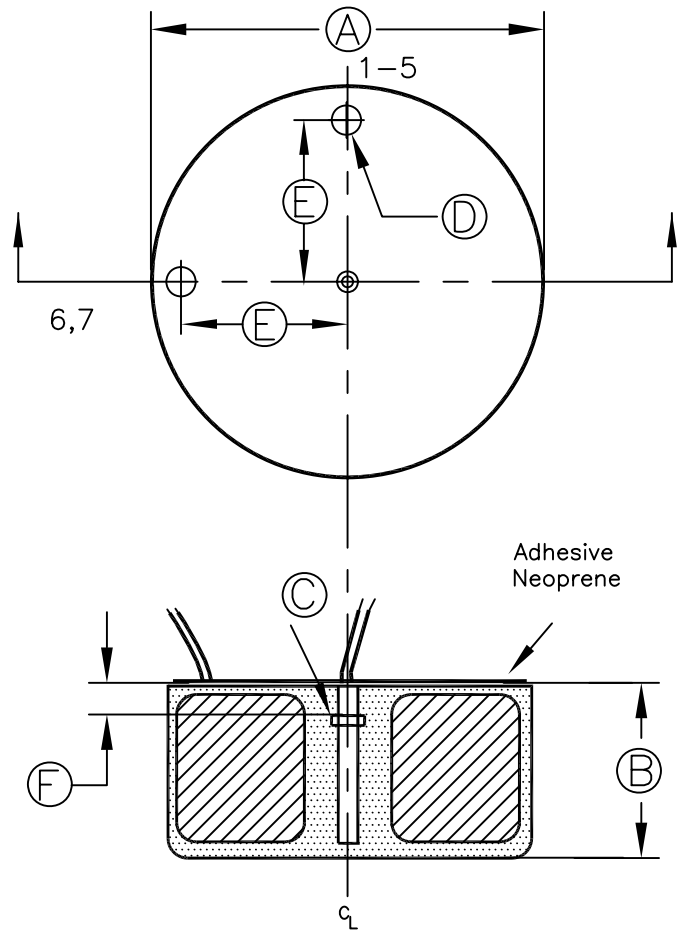
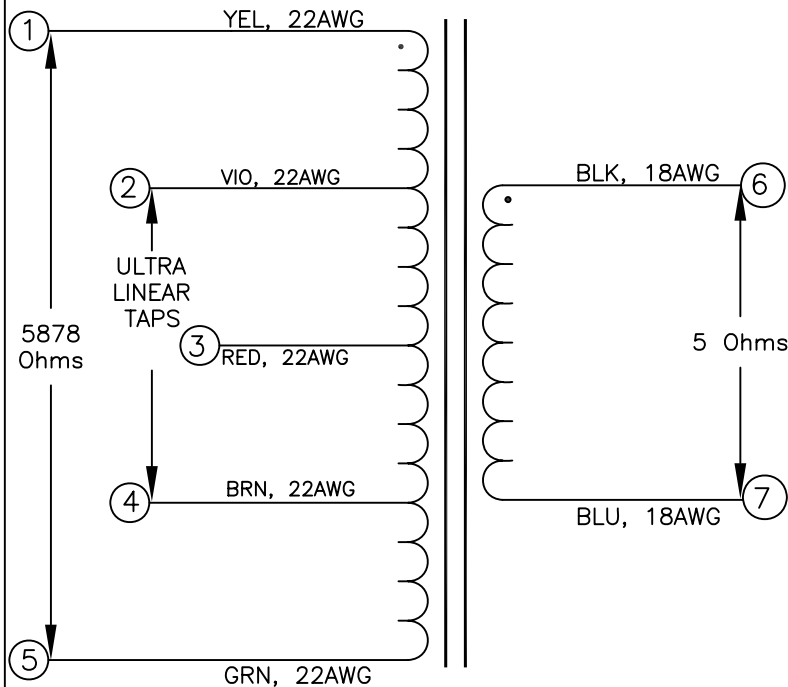


PLITRON

POWER:	VA	40
TEMPERATURE RISE:	°C	-
EFFICIENCY:	%	-
WEIGHT:	kg	*2.54
FREQUENCY:	Hz	-



LEADS	LENGTH +/-10mm	TERMINATION +/-0mm
1-7	200	STRIP 6mm

FREQUENCY RESPONSE: (Note 1)
-3dB Power bandwidth starts at 25Hz

1W	-1dB	1Hz - 81KHz
1W	0dB	3Hz - 37KHz
1W	-3dB	1Hz - 141KHz

(Lp) Pri. Inductance (H): 535
(Lsp) Leakage Inductance (H): .004
(Cip) Inter-Winding Cap. (F): 5.18 exp (-10)
(Rip) Pri. Winding Resistance (Ohms): 68.1
(Ris) Sec. Winding Resistance (Ohms): .158

NOTES:

- Designed by Vanderveen.
- Part is encapsulated in Aluminum can.
- All stranded leads are rated for 105°C, 600V minimum.
- (Note 1) Specs. based on DC, and phase splitter Voltages balanced in primary halves.
- Transformer will be supplied with bolt, lock washer and flat washer.

REF	DIMENSIONS		
	Unit:	(nom)	(max) TOLERANCE
A	mm	125.0	
B	mm	65.0	
C	inch	5/16-18 T-NUT	
D	mm	20.0	±5
E	mm	50.0	±5
F	mm	20.0	±3

LABEL

PLITRON MANUFACTURING INC.
PAT-4002-01 DATE CODE 40W
IN: 5878 Ohms YEL/GRN
SEC: 5 Ohms BLK/BLU VDV 6040
DESIGNED BY VANDERVEEN

* Calculated value

V=VAC rms A=I rms

C/T= Center Tap

N/L= No load



This document is the property of Plitron Manufacturing Inc. It is not to be copied or transmitted or used as the basis for manufacturing of apparatus without written permission.
Copyright Plitron Manufacturing Inc.

TOROIDAL OUTPUT TRANSFORMER

DESIGN BY:

VDV

DATE:

08/18/2008

DRAWN BY:

R.C.

DATE:

CHECKED BY:

DATE:

APPROVED BY:

DATE:

DWG NO.

PAT-4002-01

SCALE

N/A

SHEET 1 OF 1