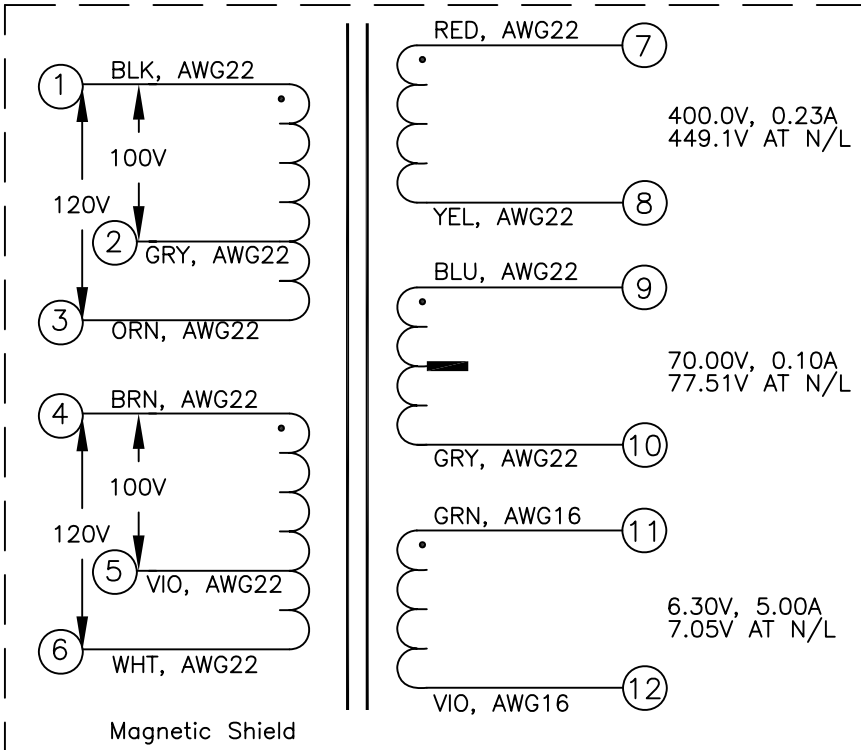
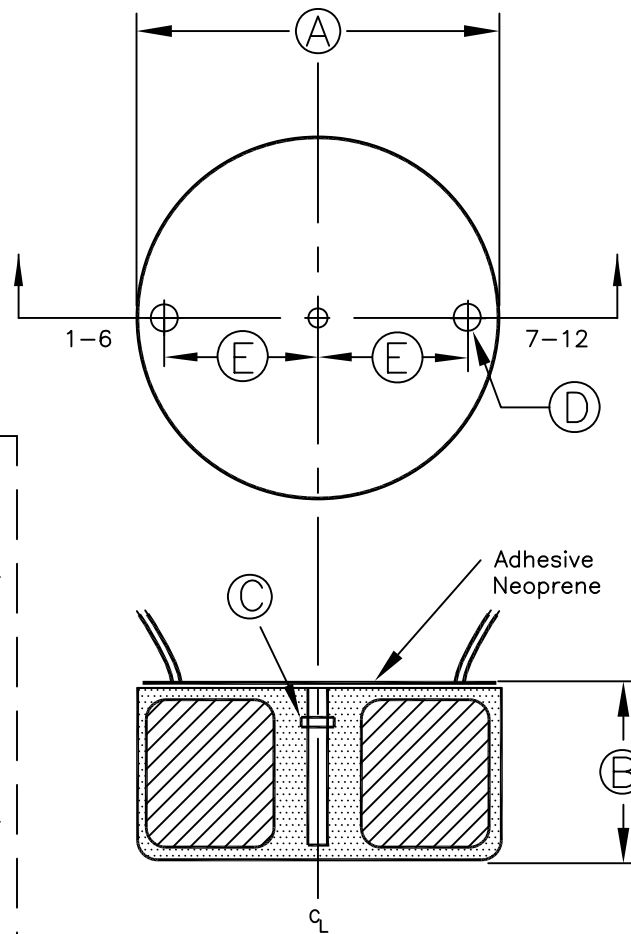


(PART NO: N/A)


POWER:	VA	131
TEMPERATURE RISE:	°C	*37
EFFICIENCY:	%	*89
WEIGHT:	kg	*2.4
FREQUENCY:	Hz	50-60



REF	DIMENSIONS			
	Unit:	(nom)	(max)	TOLERANCE
A	mm	125.0		
B	mm	65.0		
C	inch	5/16-18 T-NUT		
D	mm	20.0 (2 Places)		±5
E	mm	50.0 (2 Places)		±5

LABEL INFO:

PLITRON MANUFACTURING INC.
 7546-X0-00 DATE CODE F:50/60
 INPUT: 2X(0-100-120VAC)
 VTV PROJECT



LEADS	LENGTH ±10mm	TERMINATION
1-12	350	STRIP 6mm +3/-0mm

NOTES:

- UL recognised under UL File No.E156800 to UL506, UL1411, CSA 22.2 No66-1988 Class A(105°C) Insulation System.
- Materials and construction is verified by CSA File No.LR 84566-11, SERIES 3000 to IEC65(EN60065).
- Transformer is potted in Aluminum can.
- All stranded leads are rated for 105°C, 600V minimum.

* Calculated value

V=VAC rms A=I rms

C/T= Center Tap

N/L= No load



This document is the property of Plitron Manufacturing Inc. It is not to be copied or transmitted or used as the basis for manufacturing of apparatus without written permission.
 Copyright Plitron Manufacturing Inc.

TOROIDAL POWER TRANSFORMER

DESIGN BY: B.GLADSTONE
 DRAWN BY: S.M.
 CHECKED BY:
 APPROVED BY:

DATE: 08/22/2000
 DATE: 06/19/2003
 DATE:
 DATE:

DWG NO. 7546-X0-00

SCALE N/A SHEET 1 OF 1