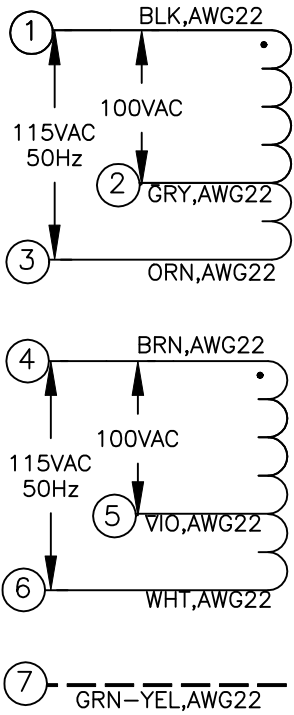
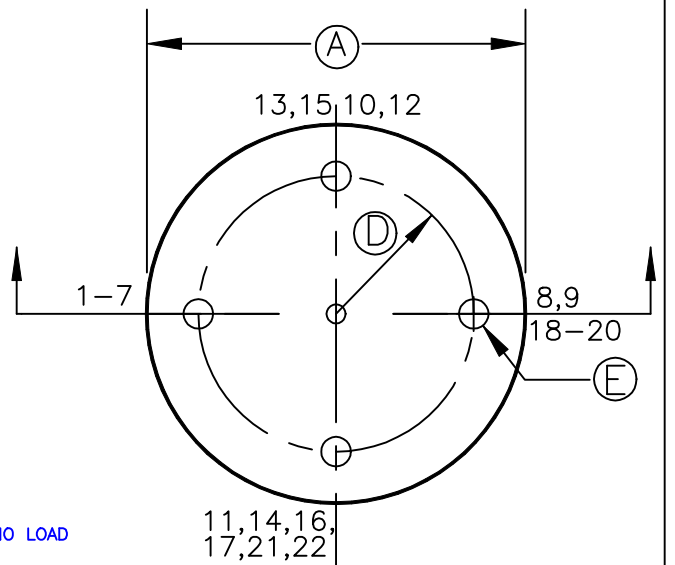
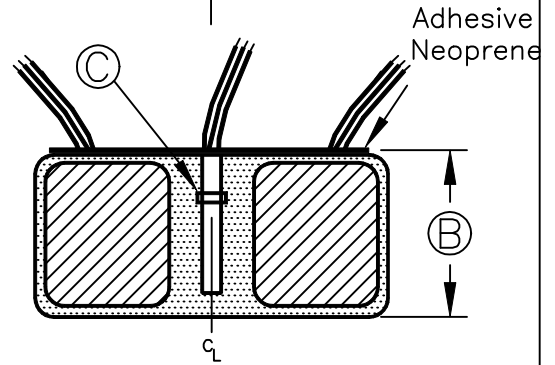


# PLITRON

CUSTOMER PART NO:	N/A
POWER:	246VA
TEMPERATURE RISE:	22.29°C
EFFICIENCY:	93.23%
CORE LOSS:	3.40W
COPPER LOSS:	13.29W
WEIGHT:	6.00kg



RED,AWG18	8	5.0VAC,3.0A 5.42VAC +/-3% AT NO LOAD
YEL,AWG18	9	
RED-YEL,AWG18	10	2.5VAC,3.0A 2.92VAC +/-3% AT NO LOAD
RED-BLK,AWG18	11	CENTER TAP
VIO,AWG18	12	2.5VAC,3.0A 2.92VAC +/-3% AT NO LOAD
BRN-BLK,AWG18	13	2.5VAC, 3.0A 2.92VAC +/-3% AT NO LOAD
BLK-GRN,AWG18	14	CENTER TAP
BRN-WHT,AWG18	15	2.5AC,3.0A 2.92VAC +/-3% AT NO LOAD
BLU,AWG18	16	
GRY,AWG18	17	6.3VAC, 3.0A 6.67VAC +/-3% AT NO LOAD
BRN-BLK,AWG22	18	345VAC,0.25A 368.8VAC +/-3% AT NO LOAD
ORN-BLK,AWG22	19	CENTER TAP
GRN-BLK,AWG22	20	345.0VAC,0.25A 368.8VAC +/-3% AT NO LOAD
GRN,AWG22	21	
VIO,AWG22	22	100.0VAC,0.10A 105.8VAC +/-3% AT NO LOAD



REF	DIMENSIONS
A	152.4mm
B	88.9mm
C	5/16"-18 T-NUT
D	50mm +/- 5mm
E	25mm +/- 10mm

LEADS	LENGTH +/-10mm	TERMINATION +3/-0mm
1-22	400	STRIP 6mm

## LABEL INFO:

PLITRON MANUFACTURING INC.  
6900-X0-02 DATE CODE F:50  
INPUT: 2 X (0-100-115)VAC  
300B SE MAINS TRANSFORMER

## NOTES:

- All stranded leads are TEW/UL1015 type wire.
- Transformer is potted in black aluminum can.



This document is the property of Plitron Manufacturing Inc. It is not to be copied or transmitted or used as the basis for manufacturing of apparatus without written permission.  
Copyright Plitron Manufacturing Inc.

## TOROIDAL POWER TRANSFORMER 246VA, 2 X (0-100-115)VAC INPUT, 50 Hz

DESIGN BY:	E.TAM	DATE:	04/23/99	DWG NO. <b>6900-X0-02</b>
DRAWN BY:	GK	DATE:	11/08/99	
CHECKED BY:		DATE:		SCALE N/A SHEET 1 OF 1
APPROVED BY:		DATE:		