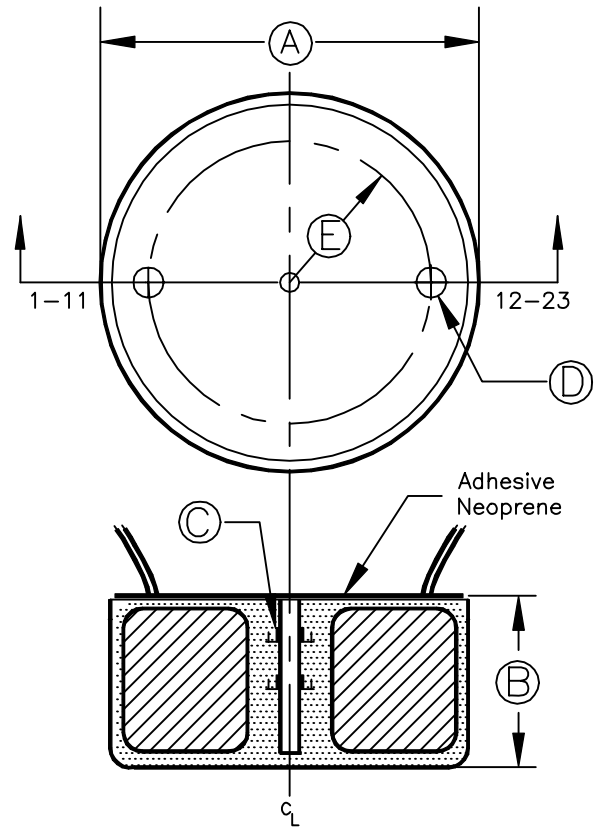


(PART NO: N/A)

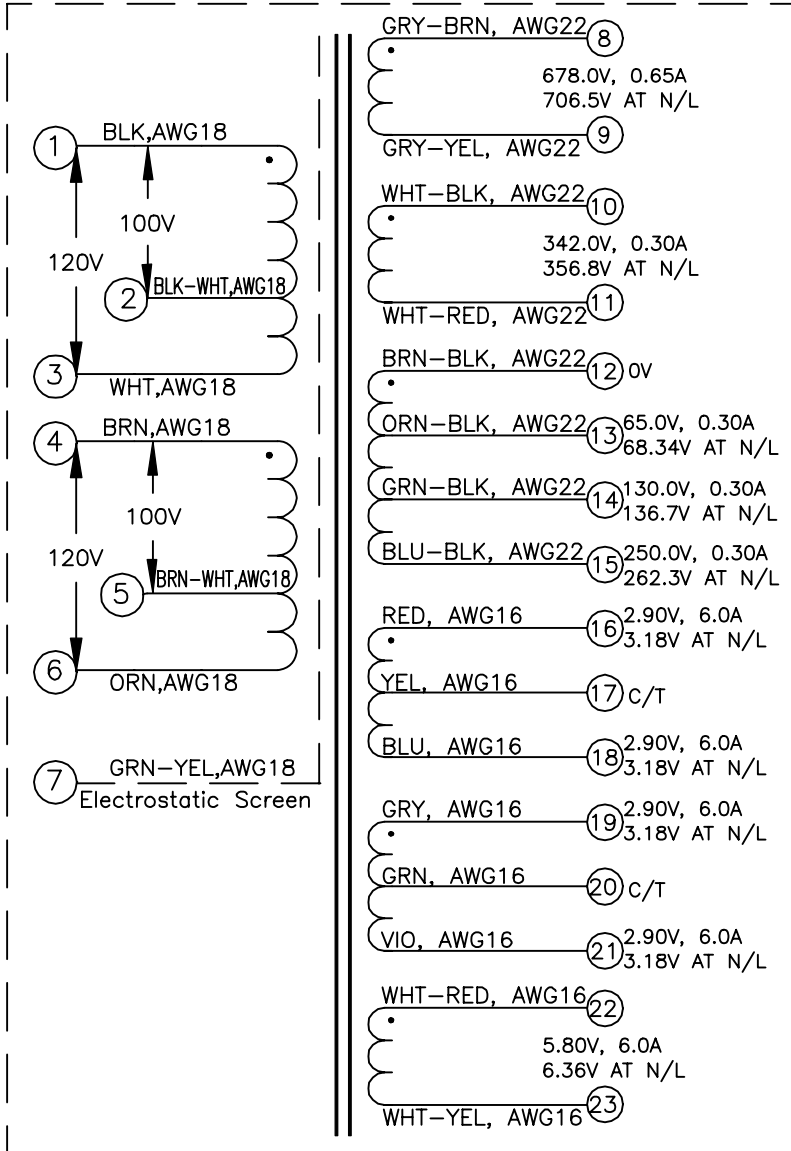
POWER:	VA	723
TEMPERATURE RISE:	°C	*27
EFFICIENCY:	%	*95
WEIGHT:	kg	*12
FREQUENCY:	Hz	50-60



REF	DIMENSIONS			TOLERANCE
	Unit:	(nom)	(max)	
A	mm	190.5		
B	mm	122.7		
C	inch	5/16-18 T-NUT		
D	mm	25.4		±5
E	mm	70		±10

LABEL INFO:

PLITRON MANUFACTURING INC.
 6632-X0-01 DATE CODE F:50/60
 INPUT: 2X(0-100-120VAC)
 STANDARD TOROIDAL TRANSFORMER



Magnetic Shield

LEADS	LENGTH ±10mm	TERMINATION +3/-0mm
1-23	300	STRIP 6mm

- NOTES:**
1. CSA, UL Materials and construction.
 2. All stranded leads are TEW/UL1015 type wire.
 3. Transformer is encapsulated in Aluminium can.

* Calculated value

V=VAC rms A=l rms

C/T= Center Tap

N/L= No load



This document is the property of Plitron Manufacturing Inc. It is not to be copied or transmitted or used as the basis for manufacturing of apparatus without written permission.
 Copyright Plitron Manufacturing Inc.

TOROIDAL POWER TRANSFORMER

DESIGN BY:	B.GLADSTONE	DATE:	07/23/1998	DWG NO. 6632-X0-01
DRAWN BY:	GK	DATE:	08/06/2002	
CHECKED BY:		DATE:		SCALE N/A SHEET 1 OF 1
APPROVED BY:		DATE:		

Activity & Revision Schedule - Customer Copy



ECR Number	Date	Name	Part No	Cust	Cust	Revision
6 632 00	06/11/19	SVFTI A	6632-X0-00			RFQ / Design
6 632 01	08/12/20	SVFTI A	6632-X0-01			Add 100V tap to primary.