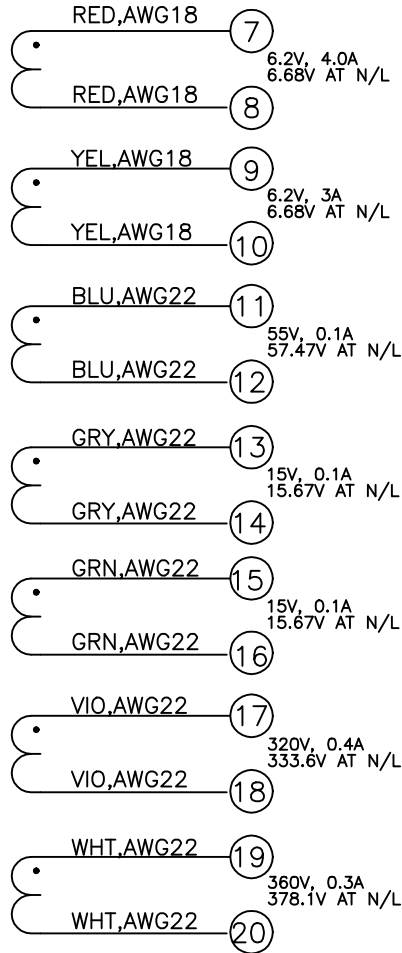
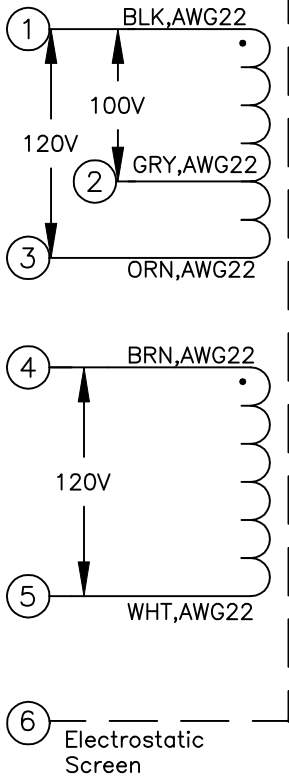
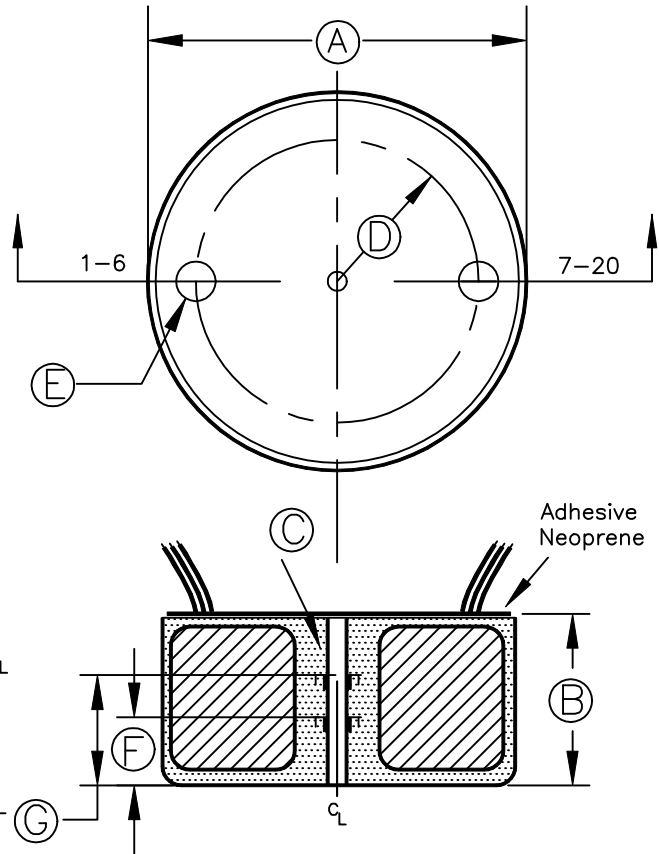


STANDARD

POWER:	VA	288
TEMPERATURE RISE:	°C	*18
EFFICIENCY:	%	*95
WEIGHT:	kg	*7.1
FREQUENCY:	Hz	50



REF	DIMENSIONS			TOLERANCE
	Unit:	(nom)	(max)	
A	mm	152.4		
B	mm	88.9		
C	mm	1/4-20 insert (2 places)		
D	mm	50		
E	mm	∅30		
F	mm	35		
G	mm	60		

LEADS	LENGH ±10mm	TERMINATION
1-5	300	STRIP 6mm+3/-0mm
6	300	AMP 276959-2 TERMIFOIL
7-20	300	STRIP 6mm+3/-0mm

LABEL INFO:

PLITRON MANUFACTURING INC.
6083-X0-00 DATE CODE F:50
INPUT:(0-100-120 0-120VAC)
STANDARD POWER TRANSFORMER



NOTES:

1. ULC recognised to UL506, UL1411, CSA 22.2 No66-1988 Class A(105°C) Insulation System.
2. All stranded leads are TEW/UL1015 type wire.
3. Transformer is potted in metal can.

* Calculated value

V=VAC rms A=l rms

C/T= Center Tap

N/L= No load



This document is the property of Plitron Manufacturing Inc. It is not to be copied or transmitted or used as the basis for manufacturing of apparatus without written permission.
Copyright Plitron Manufacturing Inc.

70 WATT PER CHANNEL POWER TRANSFORMER

DESIGN BY:	B.GLADSTONE
DRAWN BY:	GK
CHECKED BY:	
APPROVED BY:	

DATE:	08/02/99
DATE:	08/02/99
DATE:	
DATE:	

DWG NO. **6083-X0-00**

SCALE N/A SHEET 1 OF 1