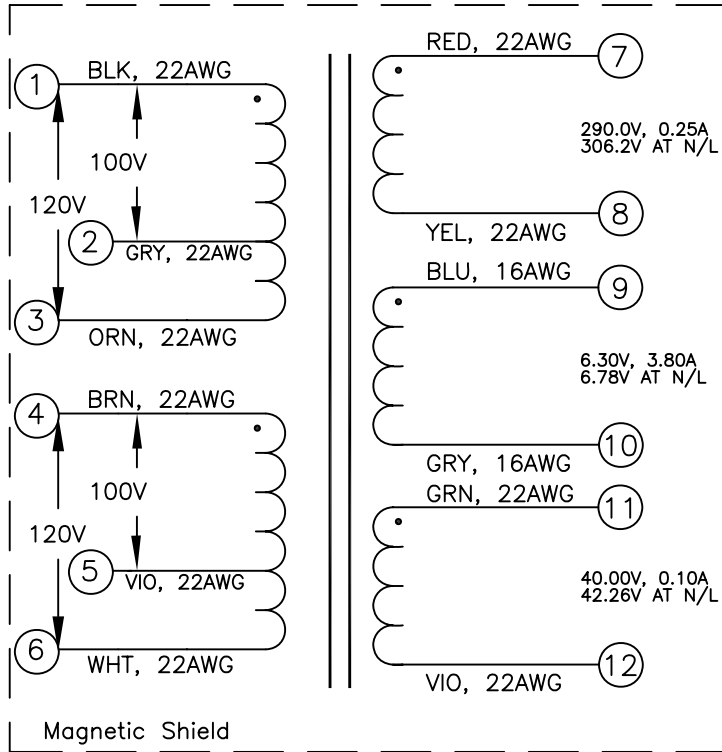
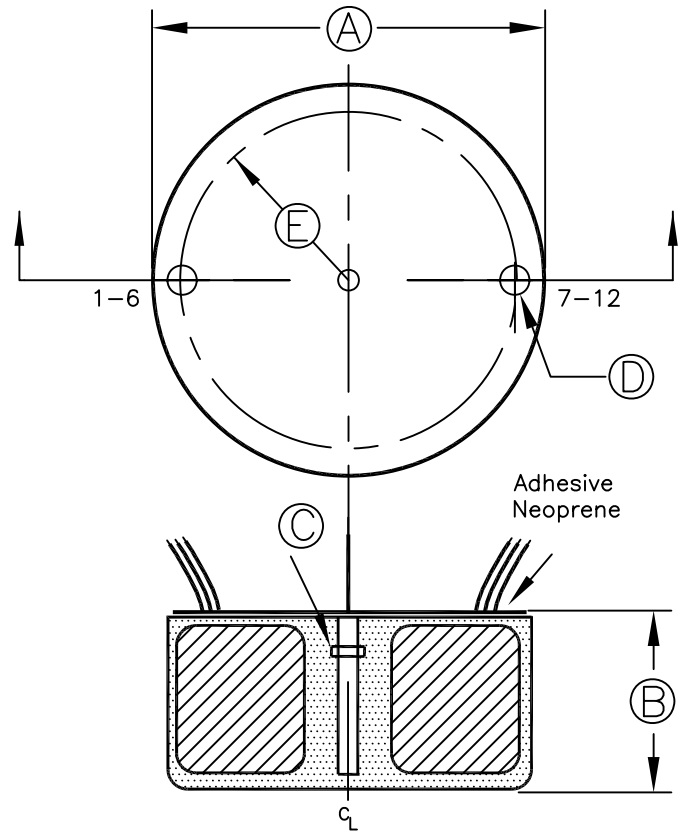


STANDARD

POWER:	VA	100
TEMPERATURE RISE:	°C	*13
EFFICIENCY:	%	*94
WEIGHT:	kg	*2.59
FREQUENCY:	Hz	50-60




REF	DIMENSIONS			TOLERANCE
	Unit:	(nom)	(max)	
A	mm	125.0		
B	mm	65.0		
C	inch	5/16-18 T-NUT		
D	mm	20.0		±5
E	mm	40.0		±5

LEADS	LENGTH ±10mm	TERMINATION +3/-0mm
1-12	200	STRIP 6mm

LABEL

PLITRON MANUFACTURING INC.
 454707-02 DATE CODE F:50/60
 INPUT:2X(0-100-120VAC)
 OUTPUT:290V@.25A 6.3V@3.8A 40V@.1A
 UL P/N 4707-X0-02



NOTES:

1. UL recognised under UL File No.E156800 to UL506, UL1411,CSA 22.2 No.66-1988 Class A(105°C) Insulation System.
2. All stranded leads are rated for 105°C, 600V minimum.
3. Transformer is encapsulated in Aluminum can.
4. HIPOT 2/5 to 7/9/11 at 2.5kV for 5 seconds.
HIPOT 7 to 9/11 at 1.5kV for 5 seconds.
5. Transformer will be supplied with bolt, lock washer and flat washer.

* Calculated value

V=VAC rms A=l rms

C/T= Center Tap

N/L= No load



This document is the property of Plitron Manufacturing Inc. It is not to be copied or transmitted or used as the basis for manufacturing of apparatus without written permission.
 Copyright Plitron Manufacturing Inc.

TOROIDAL POWER TRANSFORMER

DESIGN BY:	B.GLADSTONE
DRAWN BY:	R.C.
CHECKED BY:	
APPROVED BY:	

DATE:	12/06/1999
DATE:	03/17/2008
DATE:	
DATE:	

DWG NO. **454707-02**

SCALE N/A SHEET 1 OF 1